

Aline 70

PENDANT



SPECIFICATION SHEET

Aline 70



Model 1550

Type

P Pendant

Size

48	49.1" [1246mm]
60	60.9" [1547mm]
72	72.8" [1848mm]
84	84.6" [2149mm]
Custom	

Wattage ^{1,2}

Direct

48"	
LD 12W (1600lm)	LI 12W (1600lm)
MD 24W (2970lm)	MI 24W (2970lm)
60"	
LD 15W (2000lm)	LI 15W (2000lm)
MD 30W (3715lm)	MI 30W (3715lm)
72"	
LD 18W (2400lm)	LI 18W (2400lm)
MD 36W (4460lm)	MI 36W (4460lm)
84"	
LD 21W (2800lm)	LI 21W (2800lm)
MD 42W (5200lm)	MI 42W (5200lm)

Indirect ³

XI - No Indirect

Color Temp ⁴

30	3000
35	3500
40	4000

Voltage

2 220/240 Volt

Driver

RD Remote

Control - RD

S	Non-dim
D010	0-10V
DALI	DALI
SWD	SwitchDIM

Diffuser Bottom

SW Satin opal acrylic

Diffuser Top

SA	Satin clear acrylic
CT	Aluminum - painted to match the fixture

Finish ⁵

16	Clear anodized aluminum
21	Painted white - RAL 9010 matte
26	Painted black - RAL 9005 matte
22	Painted custom color

Mounting

SC Straight cables

Circuit

CS	Circuit - Single
CD	Circuit - Dual

Power Cable ⁶

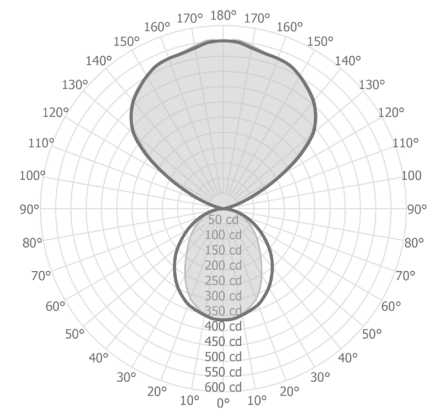
CC	Clear insulated cable (standard)
WC	White cable
BC	Black cable

Notes

- 1 Nominal lumens value specified
- 2 Linear LED board, constant voltage 24 Volt
- 3 For no indirect light specify XI
- 4 90+ CRI standard
- 5 Canopy finish matches housing
For Clear anodized aluminum finish, canopy finish will be painted anodized aluminum
- 6 96" standard cable length

Example fixture number:

1550 - P - 48 - LD - LI - 30 - 2 - RD - S - SW - SA - 16 - SC - CS - CC



Aline 70

PENDANT

The clean line of the Aline 70 makes it suitable for use in any modern environment.

Aline 70 is available in pendant and surface versions with evenly illuminated satin opal lens. In various sizes and with different light sources, it is suitable for conference rooms or larger spaces when used in multiple configurations.



Size	
48	49.1" [1246mm]
60	60.9" [1547mm]
72	72.8" [1848mm]
84	84.6" [2149mm]
Custom	



* 70mm x 70mm fixture body profile
* Continuous fixture with hairline fixture segments connection

Aline 70

PENDANT



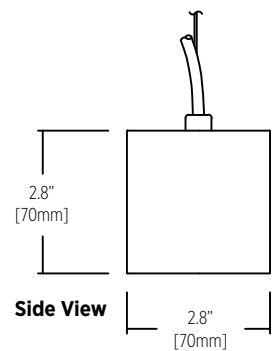
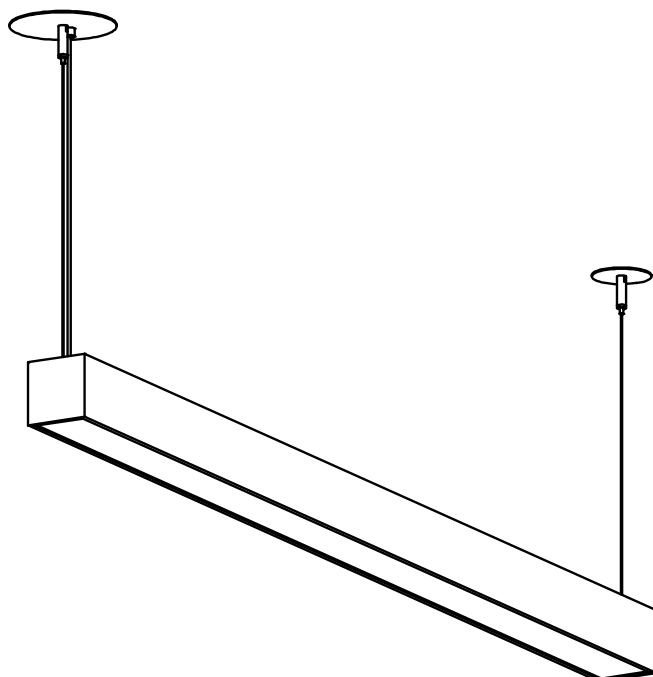
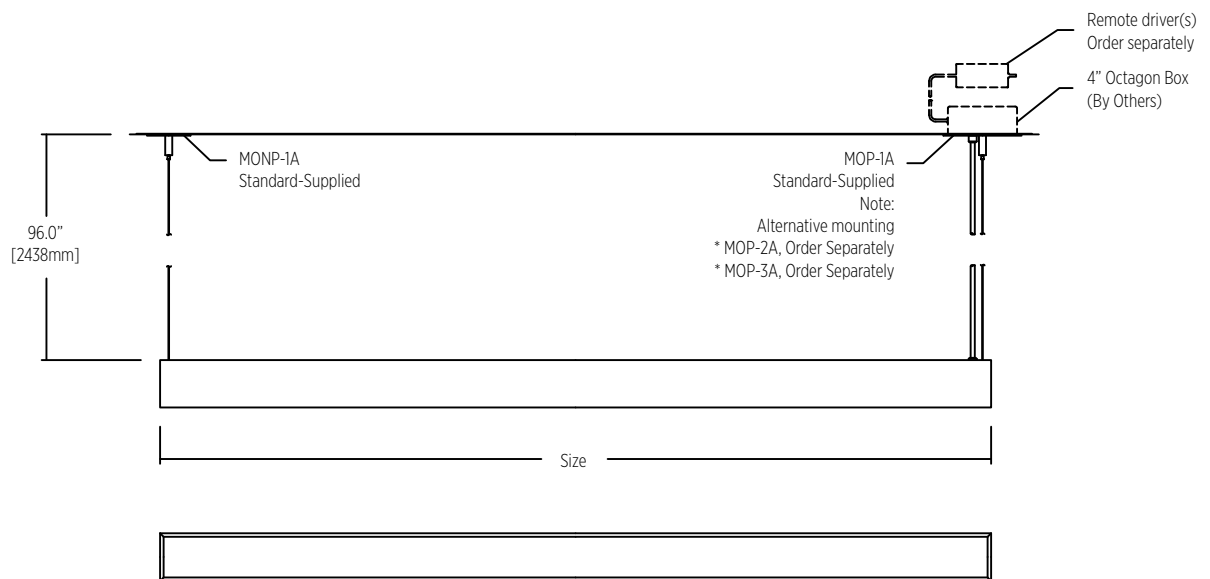
SPECIFICATION SHEET

Aline 70



INSTALLATION TYPE

Straight cables with remote driver



Aline 70

PENDANT



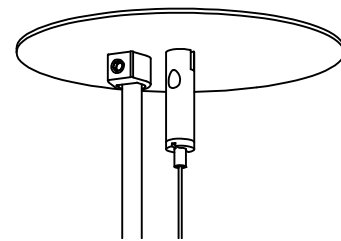
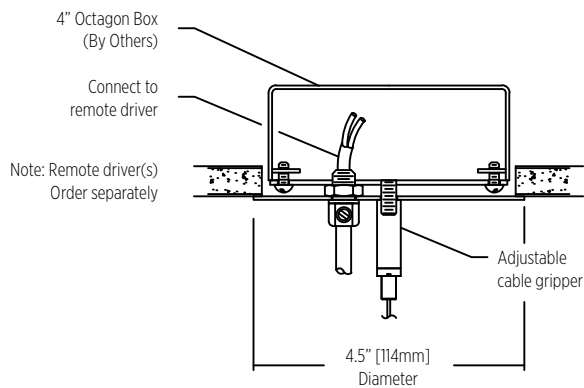
SPECIFICATION SHEET

Aline 70



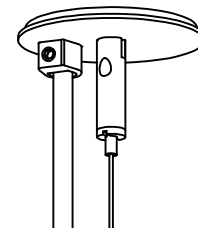
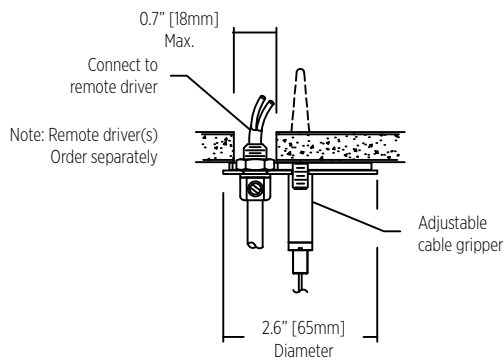
STRAIGHT CABLES MOUNTING OPTION - POWER

MOP-1A Standard - Supplied



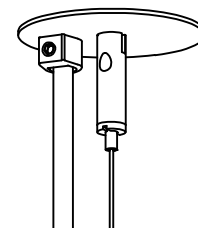
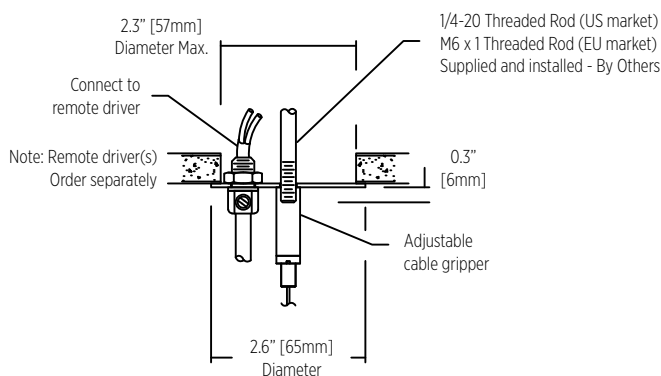
Mounting Option Power 1A
Octagon Box (By Others)
Installed in drywall, wood or concrete ceiling

MOP-2A-1 Order Separately



Mounting Option Power 2A-1
Suspension assembly
Installed in drywall or wood ceiling

MOP-2A-2 Order Separately



Mounting Option Power 2A-2
Suspension assembly
Installed in drywall or wood ceiling

Aline 70

PENDANT

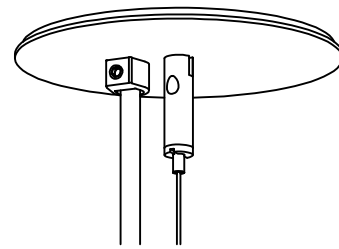
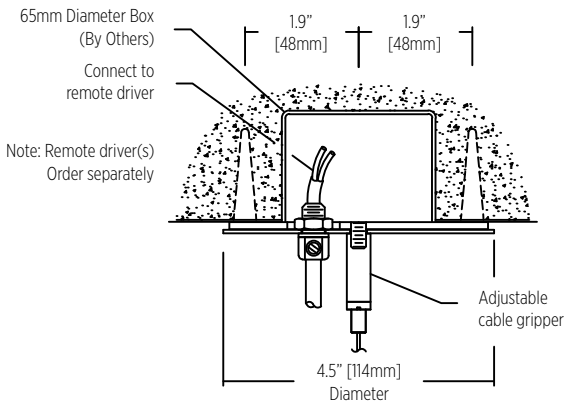


SPECIFICATION SHEET

Aline 70



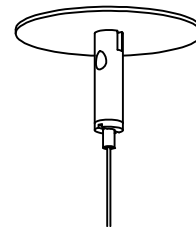
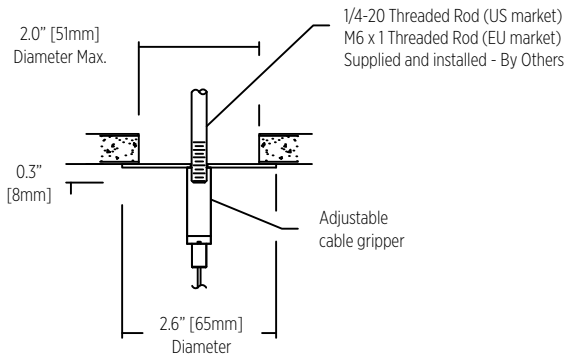
MOP-3A Order Separately



Mounting Option Power 3A
65mm Diameter Box (By Others)
Installed in drywall, wood or concrete ceiling

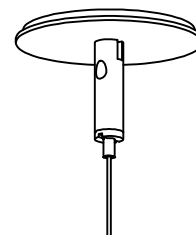
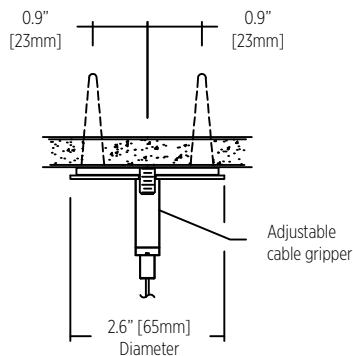
STRAIGHT CABLES MOUNTING OPTION - NON POWER

MONP-1A-1 Standard - Supplied



Mounting Option - Non Power
Threaded Rod installed
to structural ceiling (By Others)

MONP-1A-2 Alternative - Supplied



Mounting Option - Non Power
Suspension Assembly
Installed in drywall, wood or concrete ceiling